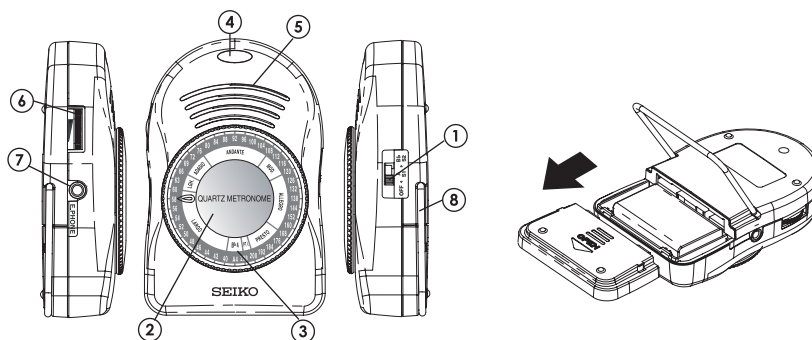


# SEIKO QUARTZ METRONOME SQ50V

## INSTRUCTION MANUAL



### NAMES AND FUNCTIONS OF PARTS

- ① **Power switch**
  - Slide the switch to turn ON/OFF power.
  - Changes over tempo sound between "S1" and "S2" in metronome mode.
  - Changes over reference note between "A4" and "B ♭4" in reference note generation mode.
- ② **Setting dial**

Turn dial to set indicator to desired tempo speed or reference note.
- ③ **Reference note mark (A4/B ♭4)**

Set setting dial ② to this mark to generate reference note.
- ④ **LED tempo display**

The red LED flashes to the tempo you have set.
- ⑤ **Speaker**

It gives out tempo sound and the reference note.
- ⑥ **Volume dial**

It adjusts volume of tempo sound and reference note.
- ⑦ **Earphone jack**

Insert earphone plug into it to use with earphone.
- ⑧ **Prop-up stand**

### HOW TO USE

- **Metronome Mode**
  - Set indicator of setting dial ② to desired tempo speed.
  - Slide power switch ① to S1 or S2 to select desired tempo sound.
- **Reference Note Generation Mode**
  - Set indicator of setting dial ② to reference note mark ③.
  - Slide power switch ① to A4 or B ♭4 to select desired reference note.

*\* The reference note generation mode is useful for tuning musical instruments.*

### HOW TO INSTALL THE BATTERY

Slide battery hatch in direction of arrow in the illustration, and remove it.

Connect dry battery with battery plug, checking that (+) and (-) terminals are correctly connected.

*\* Be sure to use a specified 9V dry battery (6F22) only.*

*\* Before changing battery, check that metronome is turned off.*

*\* When battery nears its end, the metronome may not work properly. Replace the battery with a new one immediately.*

*\* The battery included with your metronome when it was purchased is a monitor battery, and may not last as long as specified.*

*\* When disposing of old battery, observe the regulations of authorities concerned.*